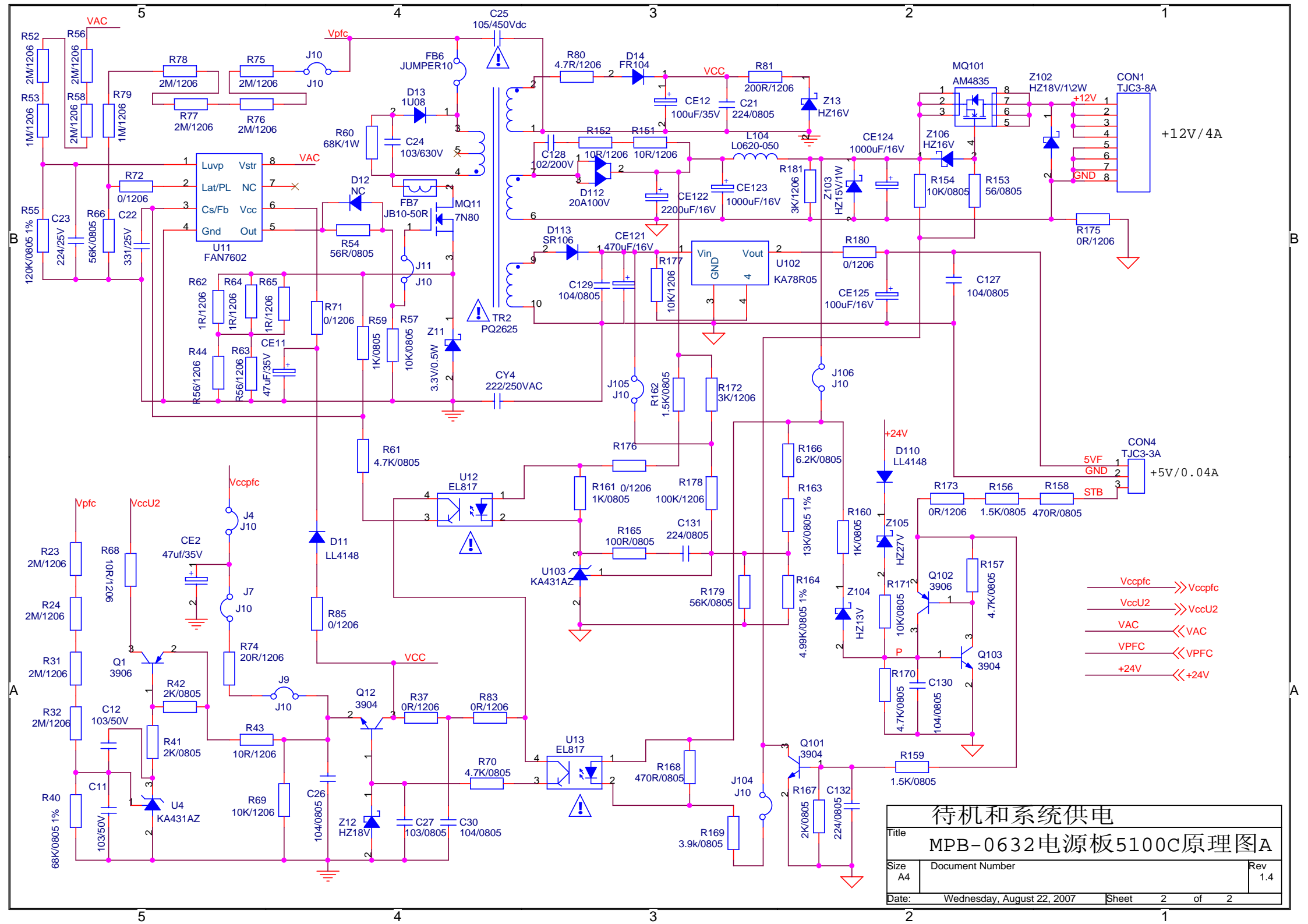


输入：90—264VAC,输出：+24V/4A,+24VA/1A,+12V/4A,+5V/40mA  
 保护：输入：欠压保护，输入过功率保护  
 输出：过流保护，过压保护，短路保护

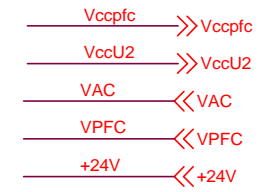
- Vccpfc
- VccU2
- VPFC
- +24V
- VAC

背光和功放供电		
MPB-0632C电源板5100C原理图		
Size A3	Document Number <Doc>	Rev 1.4
Date: Wednesday, August 22, 2007	Sheet 1	of 1



+12V / 4A

+5V / 0.04A



<b>待机 and 系统供电</b>		
<b>MPB-0632电源板5100C原理图A</b>		
Size A4	Document Number	Rev 1.4
Date:	Wednesday, August 22, 2007	Sheet 2 of 2